

# 90% GAS FURNACE JOBSITE INFORMATION SHEET

**OWNER:**

Name: \_\_\_\_\_  
 Street: \_\_\_\_\_  
 City: \_\_\_\_\_ Zip: \_\_\_\_\_  
 State/Province: \_\_\_\_\_ Phone: \_\_\_\_\_

**DATE:** \_\_\_\_\_

**PROBLEM DESCRIPTION:**

\_\_\_\_\_  
 \_\_\_\_\_

**SERVICING CONTRACTOR:**

Name: \_\_\_\_\_  
 Street: \_\_\_\_\_  
 City: \_\_\_\_\_ Zip: \_\_\_\_\_  
 State/Province: \_\_\_\_\_ Phone: \_\_\_\_\_

**DISTRIBUTOR:**

Name: \_\_\_\_\_  
 Street: \_\_\_\_\_  
 City: \_\_\_\_\_ Zip: \_\_\_\_\_  
 State/Province: \_\_\_\_\_  
 Phone: \_\_\_\_\_

**PRODUCT INFORMATION:**

Furnace Model Number: \_\_\_\_\_  
 Evaporator Model Number: \_\_\_\_\_  
 Installation Date: \_\_\_\_\_

**Serial #:** \_\_\_\_\_

**Serial #:** \_\_\_\_\_

**TEMPERATURES: (Figure 1)**

- T1-Vent Temperature = \_\_\_\_\_
- T2-Return Air = \_\_\_\_\_
- T3-Supply Air = \_\_\_\_\_
- Temperature Rise (T3-T2) = \_\_\_\_\_
- Gas Pipe Diameter = \_\_\_\_\_
- Gas Pipe Length = \_\_\_\_\_
- LP or Natural Gas = \_\_\_\_\_
- Burner Orifice Size = \_\_\_\_\_

**HIGH VOLTAGE CIRCUIT READINGS: (Figure 3)**

- ① to ⑦ - Line Voltage \_\_\_\_\_
- ② to ⑦ - IBM \_\_\_\_\_
- ③ to ⑦ - IDM \_\_\_\_\_
- ④ to ⑦ - Transformer \_\_\_\_\_
- ⑤ to ⑦ - L1 to Neutral \_\_\_\_\_
- ① to ⑪ - L1 to Earth Ground \_\_\_\_\_
- ⑦ to ⑪ - Neutral to Earth Ground \_\_\_\_\_
- ⑧ - Humidifier Term. Continuity \_\_\_\_\_
- ⑨ - EAC to Neutral \_\_\_\_\_
- ⑩ - HSI Voltage during "warm-up" \_\_\_\_\_

**PRESSURES (Furnace Running): (Figure 1)**

- P1-Manifold = \_\_\_\_\_
- P2-Inlet Gas = \_\_\_\_\_
- P3-Vent Pressure Switch = \_\_\_\_\_
- Drain Pressure Switch (for GRA/GRJ only) = \_\_\_\_\_

**LOW VOLTAGE CIRCUIT READINGS: (Figure 4)**

- ① to ⑨ - Transformer Control Voltage \_\_\_\_\_
- ② - Fuse \_\_\_\_\_
- ③ - MRLC & LC a: \_\_\_\_\_ b: \_\_\_\_\_ c: \_\_\_\_\_
- ④ - Gas Valve \_\_\_\_\_
- ⑤ - Vent Pressure Switch \_\_\_\_\_
- ⑩ - Drain Pressure Switch \_\_\_\_\_
- ⑦ - Flame Sensor Micro Amp \_\_\_\_\_
- ⑧ - Heat Assisted Limit \_\_\_\_\_

**EXHAUST VENT: (Figure 2)**

- Type = \_\_\_\_\_
- Diameter = \_\_\_\_\_
- Length = \_\_\_\_\_
- Number of 90's = \_\_\_\_\_
- Number of 45's = \_\_\_\_\_
- Term. Length = \_\_\_\_\_

**OTHER NECESSARY DATA: (Figure 2)**

- Is return air intake sealed and terminating outside furnace area? \_\_\_\_\_
- Fault Code Number of Flashes (Fig. 1) \_\_\_\_\_
- Electronic Thermostat? Yes  No

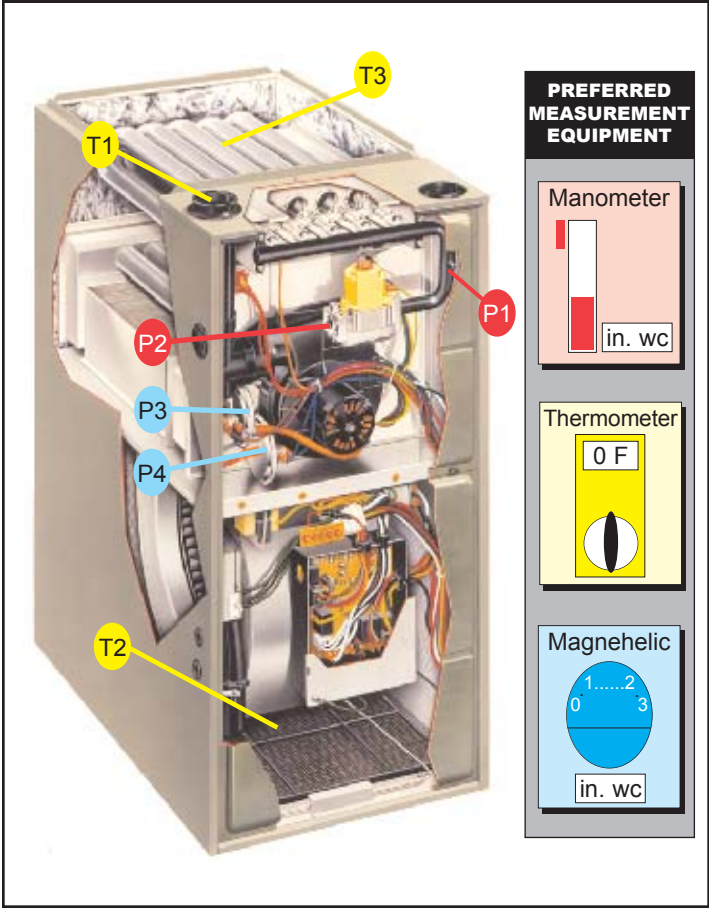
**INTAKE VENT: (Figure 2)**

- Type = \_\_\_\_\_
- Diameter = \_\_\_\_\_
- Length = \_\_\_\_\_
- Number of 90's = \_\_\_\_\_
- Number of 45's = \_\_\_\_\_
- Term. Length = \_\_\_\_\_
- Sep. Distances = \_\_\_\_\_

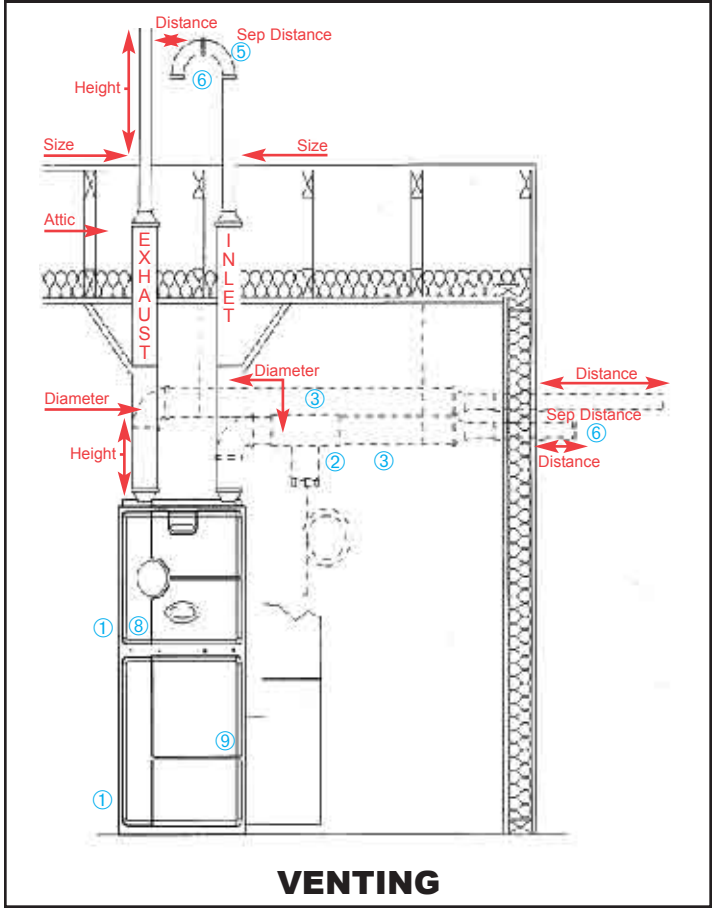
**REQUESTED BY:** \_\_\_\_\_



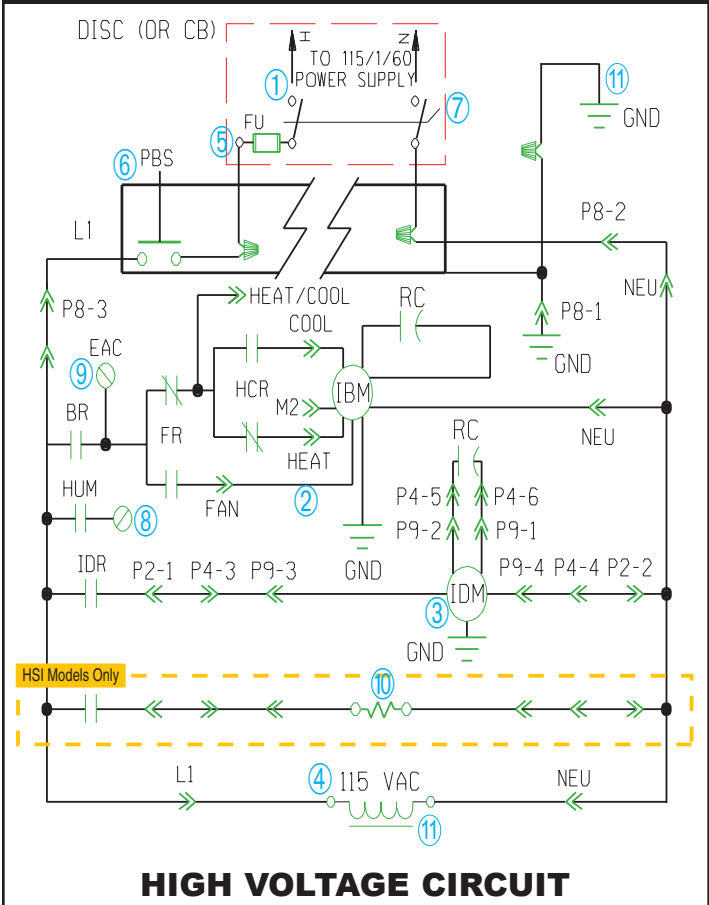
**Figure 1**



**Figure 2**



**Figure 3**



**Figure 4**

