

Electrical Theory and Application for HVACR

Electrical Theory and Application for HVACR provides students and practicing technicians with the information and knowledge necessary to accurately and safely diagnose and solve electrical system faults. Electrical Theory and Application for HVACR was written by HVACR instructors for HVACR instructors to simplify the instruction of electricity.

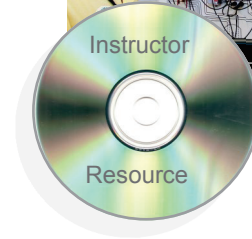
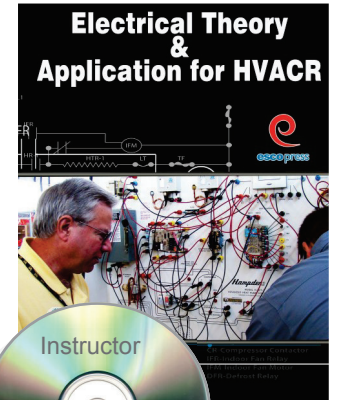
Training Manual

Item: ETAHPM | ISBN: 1-930044-32-1

Copyright: 2013 | Retail: \$49.95 |

The 143 page manual is full of color illustrations and includes worksheets that provide students and practicing technicians with the information and knowledge necessary to accurately and safely diagnose and solve electrical system faults.

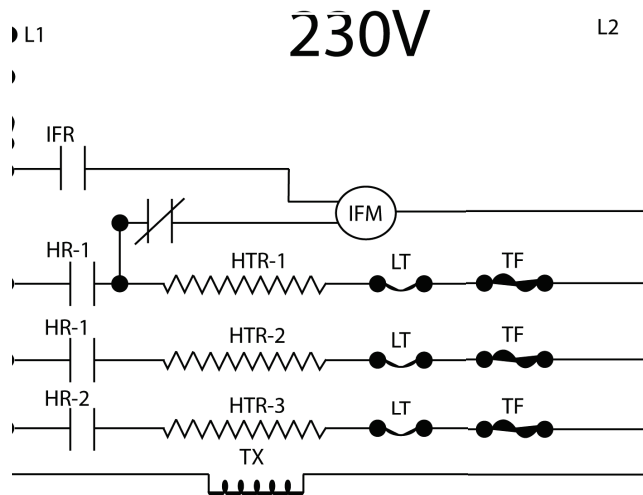
Main topics include: Safety and hazard awareness, electrical fundamentals, motors, circuits and components, wiring diagrams, automated control systems and troubleshooting. The spiral binding will allow students to tear out worksheets for grading by the instructor.



Certification

The Employment Ready Electrical Certification covers: components, meter usage, safety, theory, troubleshooting, fundamentals of motors and capacitors, and interpreting electrical diagrams.

\$25.00 Test Fee



CAPITOL
Supplies, INC

Technical
Training
Programs

Powered by



ESCO institute

800-451-8353